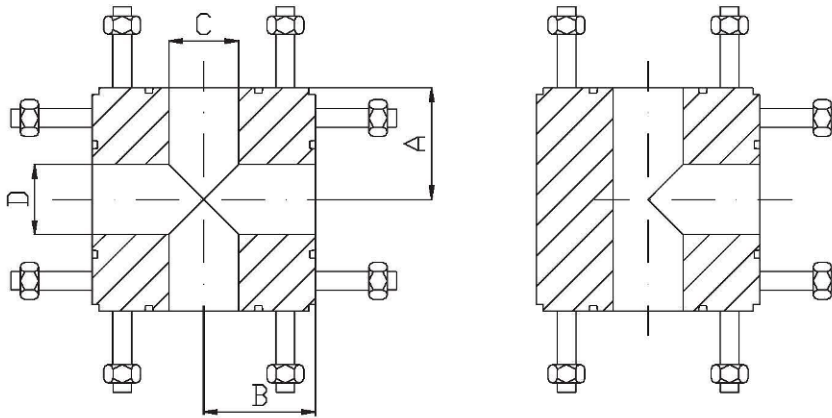


Tees and Crosses



Single Completion



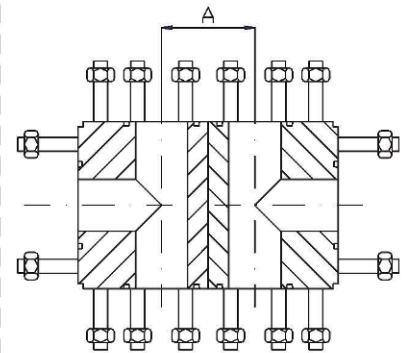
Press. (PSI)	Nominal size		A (in)	B (in)	C (in)	D (in)	
	Top and bottom (in)	Outlets (in)					
2,000	2 1/16	2 1/16	3.50	3.50	2.06	2.06	
		2 9/16	3.50	4.50	2.56	2.06	
	3 1/8	2 9/16	4.50	4.50	2.56	2.56	
		2 1/16	3.50	4.50	3.12	2.06	
		2 9/16	4.50	4.50	3.12	2.56	
	4 1/16	3 1/8	4.50	4.50	3.12	3.12	
		2 1/16	3.50	5.50	4.06	2.06	
		2 9/16	4.50	5.50	4.06	2.56	
		3 1/8	4.50	5.50	4.06	3.12	
	3,000	2 1/16	2 1/16	4.50	4.50	2.06	2.06
			2 9/16	2 1/16	4.50	5.00	2.56
		3 1/8	2 9/16	5.00	5.00	2.56	2.56
2 1/16			4.50	5.00	3.12	2.06	
2 9/16			5.00	5.00	3.12	2.56	
4 1/16		3 1/8	5.00	5.00	3.12	3.12	
		2 1/16	4.50	6.12	4.06	2.06	
		2 9/16	5.00	6.12	4.06	2.56	
		3 1/8	5.00	6.12	4.06	3.12	
5,000		2 1/16	4 1/16	6.12	6.12	4.06	4.06
			2 1/16	4.50	4.50	2.06	2.06
		2 9/16	2 1/16	4.50	5.00	2.56	2.06
	2 9/16		5.00	5.00	2.56	2.56	
	3 1/8		2 1/16	4.50	5.50	3.12	2.06
	4 1/16	2 9/16	5.00	5.50	3.12	2.56	
		3 1/8	5.50	5.50	3.12	3.12	
		2 1/16	4.50	6.50	4.06	2.06	
		2 9/16	5.00	6.50	4.06	2.56	
	3 1/8	3 1/8	5.50	6.50	4.06	3.12	
		4 1/16	6.50	6.50	4.06	4.06	

Dual Completion Tees Christmas Tree Caps



Dual Completion Tees

Studded Top & Bottom			
Pressure (PSI)	Run (in)	Outlet (in)	A (in)
2,000	2 1/16	2 1/16	3.547
2,000	2 9/16	2 1/16	4.000
5,000	2 1/16	2" LP	3.547
5,000	2 9/16	2" LP	4.000
5,000	2 1/16	2 1/16	3.547
5,000	2 9/16	2 1/16	4.000



Christmas Tree Caps

Flange size	Bore	Lift Threads
2 1/16" x 2,000	2.06	2 3/8"EUE (8 RD)
2 1/16" x 5,000	2.06	2 3/8"EUE (8 RD)
2 9/16" x 2,000	2.56	2 7/8"EUE (8 RD)
2 9/16" x 5,000	2.56	2 7/8"EUE (8 RD)
3 1/8" x 2,000	3.12	3 1/2"EUE (8 RD)
3 1/8" x 3,000	3.12	3 1/2"EUE (8 RD)
3 1/8" x 5,000	3.12	3 1/2"EUE (8 RD)
4 1/16" x 2,000	4.06	4 1/2"EUE (8 RD)
4 1/16" x 3,000	4.06	4 1/2"EUE (8 RD)
4 1/16" x 5,000	4.06	4 1/2"EUE (8 RD)

Note: Other dimensions (for 5 1/8" & 7 1/16" flanges) lift threads and pressure classes (10,000 & 15,000 PSI) are available on request.

